

Replacement Parts

NOTE

When ordering parts, give the Part Number and the Part Description. Reference Numbers on Figures are used only to point out the Items on the Figure and are not to be used as Ordering Numbers.

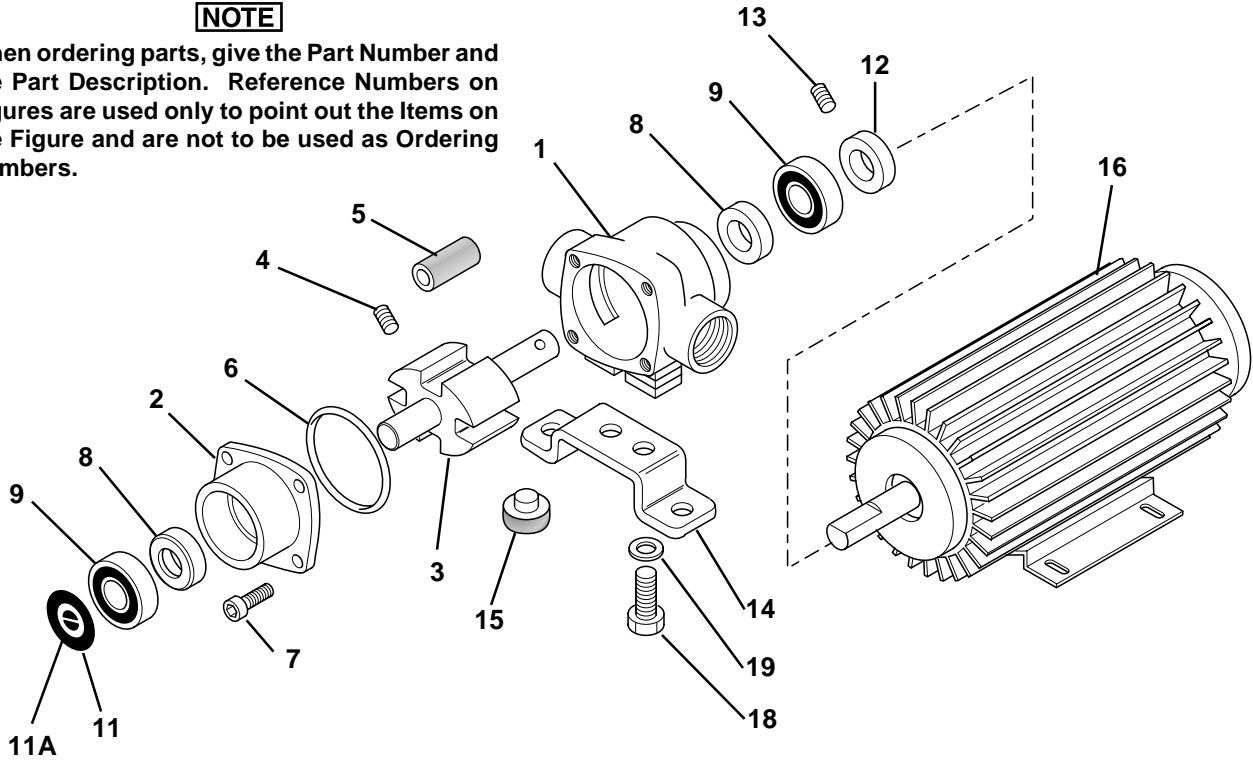


FIGURE 6

Ref. No.	Qty. Req'd	Part Number	Description
1	1	0100-4001N	Body (Ni-Resist) with Std. Seal (4001)
1	1	0100-4101N	Body (Ni-Resist) with Std. Seal (4101)
1	1	0100-4001X	Body (Silvercast) with Std. Seal (4001)
1	1	0100-4101X	Body (Silvercast) with Std. Seal (4101)
2	1	0200-4001N	Endplate (Ni-Resist) Std. Seal (4001)
2	1	0200-4101N	Endplate (Ni-Resist) Std. Seal (4101)
2	1	0200-4001X	Endplate (Silvercast) Std. Seal (4001)
2	1	0200-4101X	Endplate (Silvercast) Std. Seal (4101)
3	1	0301-4001N	Rotor (Ni-Resist) & Shaft Assy (4001)
3	1	0301-4101N	Rotor (Ni-Resist) & Shaft Assy (4101)
3	1	0301-4001X	Rotor (Silvercast) & Shaft Assy (4001)
3	1	0301-4101X	Rotor (Silvercast) & Shaft Assy (4101)
3A	1	0551-4001	Shaft Only
4	1	2230-0016	Rotor Set Screw (Silvercast Only)
4	1	2230-0002	Rotor Set Screw
5	4	1005-0002	Super Rollers (Standard)
5	4	1002-0002	Polypropylene Rollers (Optional)
5	4	1001-0002	Buna-N Rollers (Optional)
5	4	1055-0002	Teflon Rollers (Optional)
6	1	1720-0104	O-ring Gasket for Endplate
7	4	2220-0018	Endplate Screw

Ref. No.	Qty. Req'd	Part Number	Description
8	2	2107-0002	Viton Seal (Standard)
8	2	2102-0001	Buna-N Seal (Optional)
8	2	2103-0001	Leather Seal (Optional)
9	2	2000-0010	Ball Bearing
11	1	2300-0021	Bearing Cover
11A	1	6031-0258	Name Plate (Specify Pump Model No.)
12	1	1420-0001	Locking Collar
13	1	2230-0001	Set Screw
14	1	1501-0054	Base
15	2	1450-0003	Bumper
16	1	2570-0013	Electric Motor (12 vdc) (.33 hp) (gold)
16	1	2570-0015	Electric Motor (12 vdc) (.39 hp) (black)
17	1	4001N-H	Complete Roller Pump Assy (Not Shown)
17	1	4001XL-H	Complete Roller Pump Assy (Not Shown)
17	1	4101N-H	Complete Roller Pump Assy (Not Shown)
17	1	4101XL-H	Complete Roller Pump Assy (Not Shown)
18	2	2210-0003	Bolt
19	2	2260-0002	Lock Washer
20	2	1900-0150	Torsion Spring (.33 hp) (Not Shown)
21	2	3010-0246	Brush Assy (.33 hp) (Not Shown)
22	2	1900-0151	Torsion Spring (.39 hp) (Not Shown)
23	2	3010-0247	Brush Assy (.39 hp) (Not Shown)