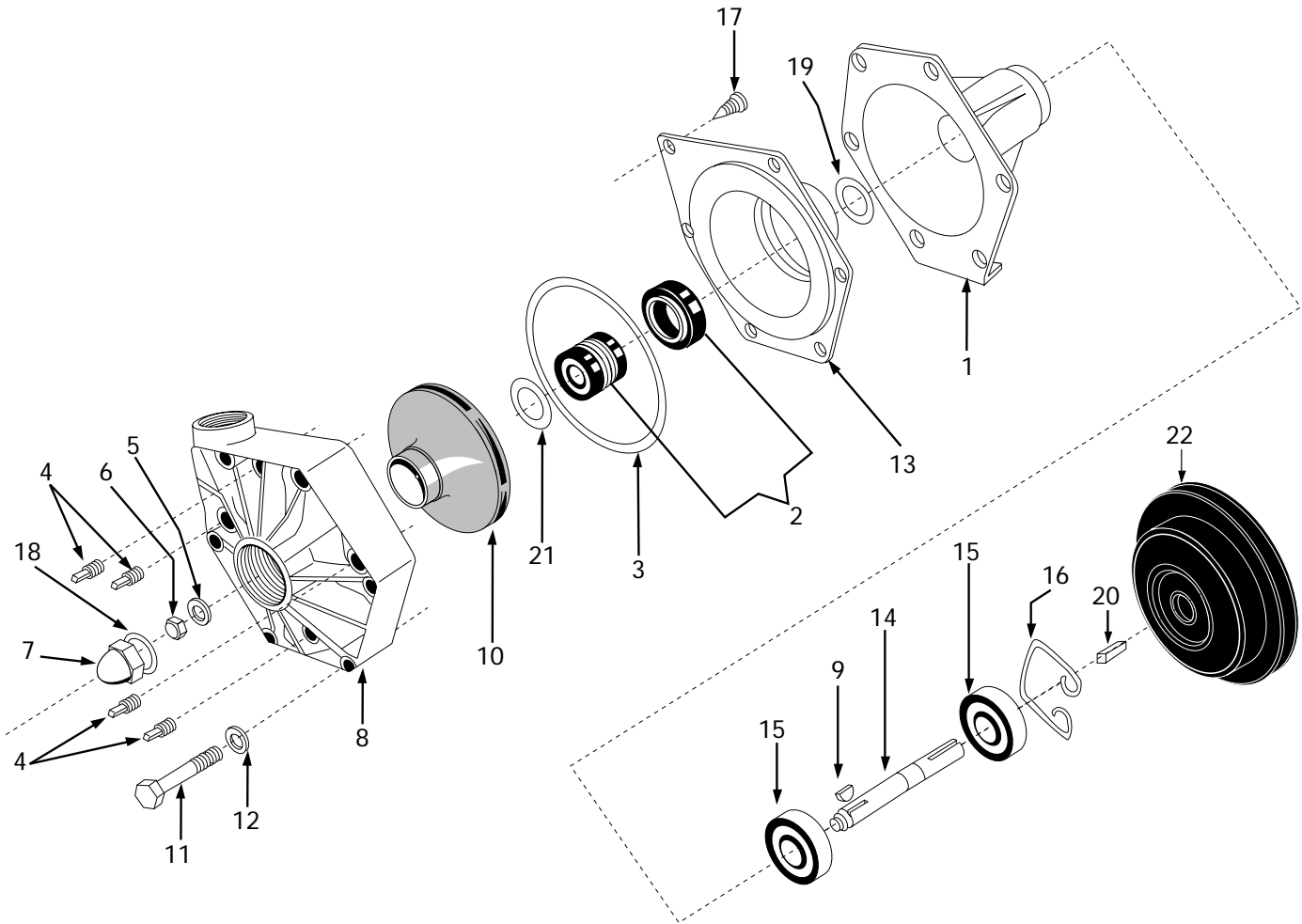


Models 9203P-S and 9253P-C

(CCW Rotation When Viewed From Shaft End)



Seal, O-ring Repair Kit No. 3430-0333

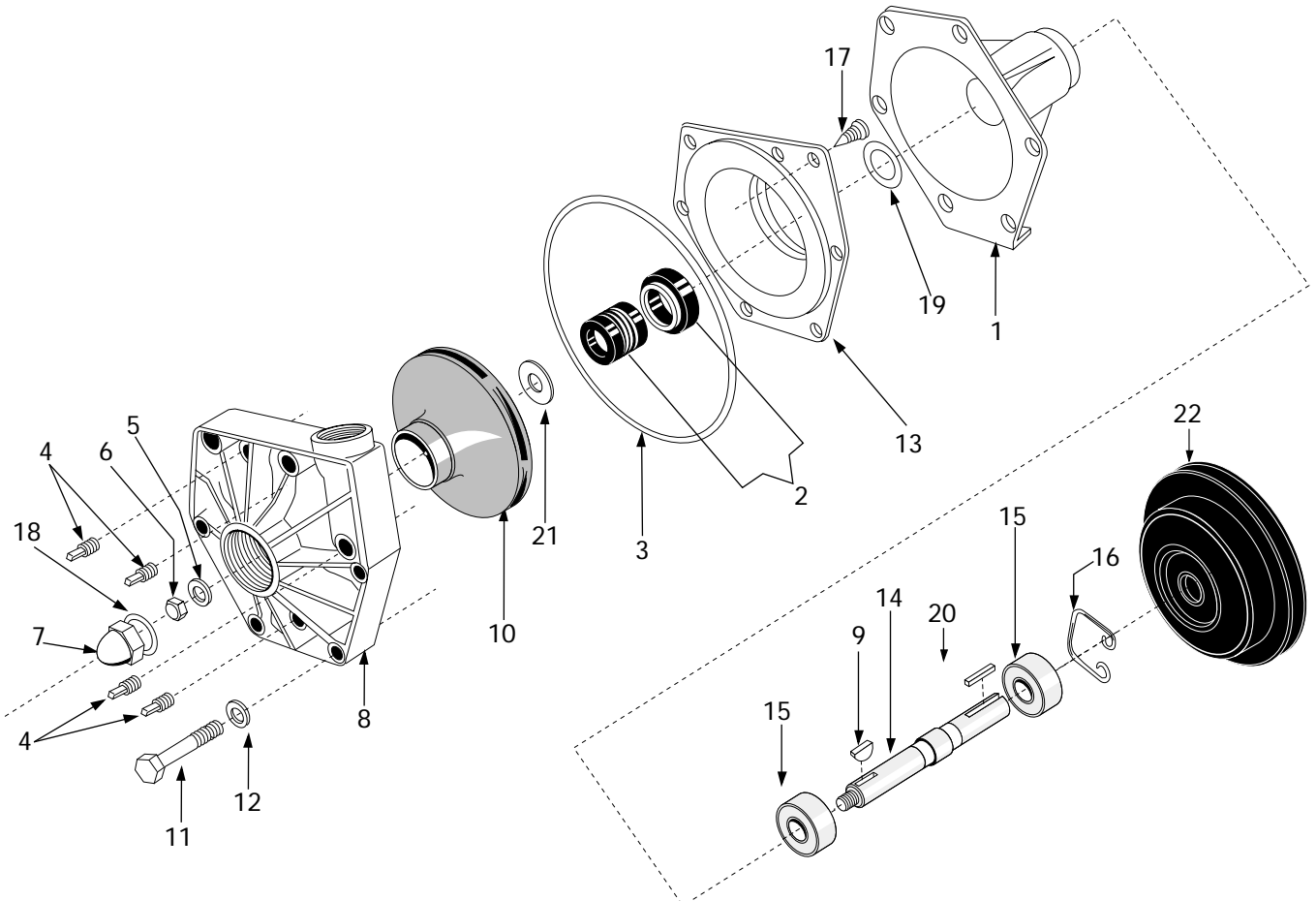
consists of (1) Ref. 2 Mechanical Seal, (1) Ref. 3 O-ring (1) Ref. 18 Gasket, (1) Ref. 5 Washer and (1) Ref. 21 Gasket.

NOTE: When ordering parts, give **quantity, part number, description, and complete model number**. Reference numbers are used **ONLY** to identify parts in the drawing and are **NOT** to be used as order numbers.

Ref. No.	Qty. Req'd.	Part No.	Description
1	1	0702-9200C	Flange
2	1	2120-0011	Mechanical Seal
3	1	1721-0083	O-Ring
4	4	2406-0020	Plug
5	1	2270-0057	Washer
6	1	2250-0051	Jam Nut
7	1	2250-0052	Impeller Nut
8	1	0700-9000P	Pump Casing
9	1	1610-0042	Woodruff Key (ss)
10	1	0403-9000P	Impeller (Polypropylene)
11	6	2210-0087	Screw
12	6	2270-0041	Washer

Ref. No.	Qty. Req'd.	Part No.	Description
13	1	0750-9000P	Back Cover
14	1	0506-9200	Shaft
14	1	0507-9200	Optional Stainless Steel Shaft (316 ss)
15	2	2008-0001	Bearing
16	1	1820-0025	Retaining Ring
17	1	2210-0088	Screw
18	1	1700-0097	Gasket
19	1	1410-0083	Slinger Ring
20	1	1610-0004	Key
21	1	1700-0101	Gasket
22	1	2526-0008	Clutch (Model 9253P-C only)
	1	6031-0325	Nameplate (not shown)
	1	2270-0041	Nameplate Washer (not shown)
	1	2270-0076	Tag (not shown)

(CW Rotation When Viewed From Shaft End)



Seal, O-ring Repair Kit No. 3430-0333 consists of
 (1) Ref. 2 Mechanical Seal,
 (1) Ref. 3 O-ring,
 (1) Ref. 18 Gasket
 (1) Ref. 21 Gasket and
 (1) Ref. 5 Washer.

NOTE: When ordering parts, give **quantity, part number, description, and complete model number**. Reference numbers are used **ONLY** to identify parts in the drawing and are **NOT** to be used as order numbers.

Ref. No.	Qty. Req'd.	Part No.	Description
1	1	0702-9200C	Flange Mounting
2	1	2120-0011	Mechanical Seal
3	1	1721-0083	O-Ring
4	4	2406-0020	Plug
5	1	2270-0057	Washer
6	1	2250-0051	Jam Nut
7	1	2250-0052	Impeller Nut
8	1	0701-9500P	Pump Casing
9	1	1610-0042	Woodruff Key (ss)
10	1	0402-9000P	Impeller (Polypropylene)
11	6	2210-0087	Hex Head Capscrew
12	6	2270-0041	Washer

Ref. No.	Qty. Req'd.	Part No.	Description
13	1	0700-9500P	Back Cover
14	1	0507-9200	Shaft
15	2	2008-0001	Ball Bearing
16	1	1820-0025	Retainer Ring
17	1	2210-0088	Hex Head Screw
18	1	1700-0097	Gasket
19	1	1410-0083	Slinger Ring
20	1	1610-0004	Key
21	1	1700-0101	Gasket
22	1	2526-0008	Clutch
		6031-0325	Nameplate (not shown)
		2270-0041	Washer (not shown)
		2270-0076	Tag (not shown)