

NOTE: When ordering parts, give QUANTITY, PART NUMBER, DESCRIPTION, and COMPLETE MODEL NUMBER. Reference numbers are used ONLY to identify parts in the drawing and are NOT to be used as order numbers.

Repair Parts Kit No. 3430-0332
 Contains: One mechanical seal (Ref. 5), one o-ring (Ref. 6) and one rubber gasket (Ref. 45).

Parts Kit No. 3430-0178
 Contains: One each ball bearing (Ref. 14), motor shaft seal (Ref. 16), thread seal gasket (Ref. 32), and washer (Ref. 33), two each motor housing o-rings (Ref. 25), and port adapter o-rings (Ref. 37).

Adapter Kit No. 3430-0187 (HM4 Models Only):
 Includes one each Ref. 37, Ref. 42, and Ref. 44, three Ref. 43, three metering orifices one No. 3373-0020 (Size #1), one No. 3373-0021 (Size #2) and one No. 3373-0022 (Size #3).

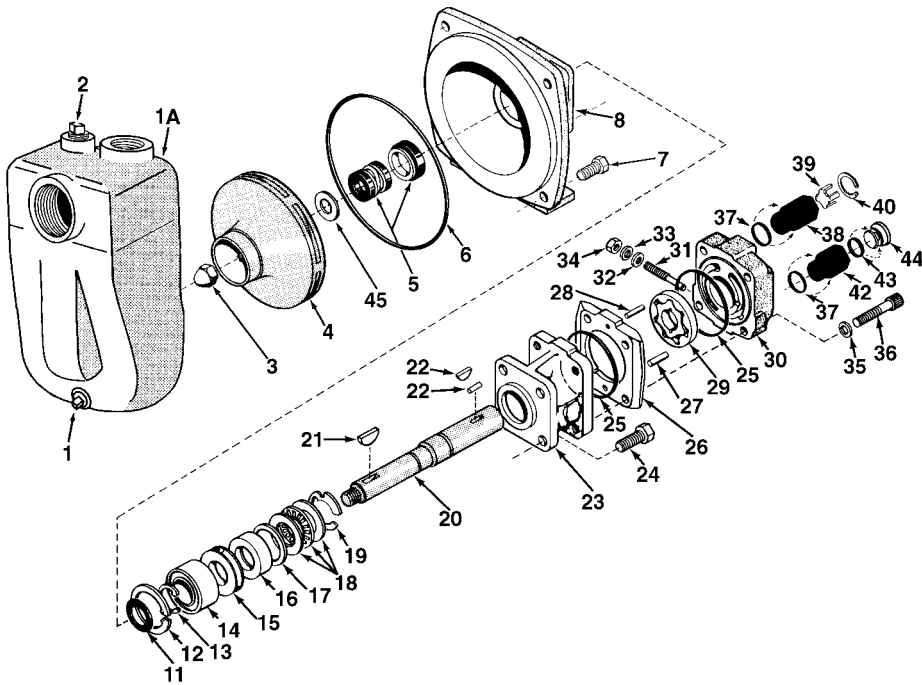
Hydraulic Motor Part #s

- 2500-0009C (HM1C Models)
- 2500-0010C (HM2C Models)
- 2500-0011C (HM3C Models)
- 2500-0012C (HM4C Models)
- 2500-0018C (HM5C Models)

| Ref. No. | Qty. Req'd. | Part No. | Description |
|----------|-------------|------------|--|
| 1 | 4 | 2406-0007 | Drain/Vent Plug |
| 2 | 1 | 0150-9000C | Pump Casing (Volute) (Includes a stainless steel wear ring) |
| 3 | 1 | 2253-0002 | Impeller Nut |
| 4 | 1 | 0401-9100P | Impeller (Nyglass, std.) |
| 4 | 1 | 0402-9100P | Impeller (Optional Polypropylene) |
| 5 | 1 | 2120-0008 | Mechanical Seal (Buna-N) 9301 Models |
| 5 | 1 | 2120-0009 | Mechanical Seal (Viton) 9303 Models |
| 6 | 1 | 1720-0083 | O-ring |
| 7 | 4 | 2210-0020 | Hex Head Cap Screw |
| 8 | 1 | 0750-9300C | Mounting Flange |
| 11 | 1 | 1410-0056 | Slinger Ring |
| 12 | 1 | 1820-0013 | Retaining Ring |
| 13 | 1 | 1810-0014 | Snap Ring |
| 14 | 1 | 2000-0010 | Ball Bearing |
| 15 | 1 | 1410-0073 | Spacer |
| 16 | 1 | 2104-0005 | Shaft Seal |
| 17 | 1 | 1410-0074 | Seal Spacer |
| 18 | 1 | 2029-0014 | Thrust Bearing Assembly—Consists of: (1) Thrust Bearing & (2) Thrust Brg. Races |
| 19 | 1 | 1810-0026 | Snap Ring |
| 20 | 1 | 0509-2500 | Shaft (HM2C & HM4C Models) 6 3/4" Long |
| 20 | 1 | 0511-2501 | Shaft (HM1C & HM5C Models) 7" Long |
| 20 | 1 | 0510-2500 | Shaft (HM3C Models) 7 1/2" Long |
| 21 | 1 | 1610-0012 | Woodruff Key |
| 22 | 1 | 1610-0032 | Roll Pin (HM2C & HM4C Models) |
| 22 | 1 | 1610-0031 | Roll Pin (HM1C & HM5C Models) |
| 22 | 1 | 1610-0030 | Woodruff Key (HM3C Models) |
| 23 | 1 | 0151-2500C | Motor Body (Includes Main Bearing) |
| 24 | 4 | 2210-0005 | Hex Head Cap Screw |
| 25 | 2 | 1720-0110 | O-ring |
| 26 | 1 | 0701-2500C | Gerotor Housing (HM2C Models) 1/4" Wide |
| 26 | 1 | 0700-2500C | Gerotor Housing (HM1C Models) 1/2" Wide |
| 26 | 1 | 0703-2500C | Gerotor Housing (HM4C Models) 5/16" Wide |
| 26 | 1 | 0702-2500C | Gerotor Housing (HM3C Models) 1" Wide |
| 26 | 1 | 0704-2500C | Gerotor Housing (HM5C Models) 5/8" Wide |

| Ref. No. | Qty. Req'd. | Part No. | Description |
|----------|-------------|------------|--|
| 27 | 1 | 1600-0045 | Dowel Pin (HM2C & HM4C Models) |
| 27 | 1 | 1600-0044 | Dowel Pin (HM1C & HM5C Models) |
| 27 | 1 | 1600-0052 | Dowel Pin (HM3C Models) |
| 28 | 1 | 1600-0042 | Dowel Pin (HM2C & HM4C Models) |
| 28 | 1 | 1600-0037 | Dowel Pin (HM1C & HM5C Models) |
| 28 | 1 | 1600-0068 | Dowel Pin (HM3C Models) |
| 29 | 1 | 3900-0022 | Gerotor (HM1C Models) |
| 29 | 1 | 3900-0023 | Gerotor (HM2C Models) |
| 29 | 1 | 3900-0024 | Gerotor (HM3C Models) |
| 29 | 1 | 3900-0025 | Gerotor (HM4C Models) |
| 29 | 1 | 3900-0048 | Gerotor (HM5C Models) |
| 30 | 1 | 0251-2500C | Motor End Plate (Includes Main Bearing) |
| 31 | 1 | 3220-0029 | Bypass Adjusting Screw |
| 32 | 1 | 1700-0047 | Gasket |
| 33 | 1 | 2270-0027 | Washer |
| 34 | 1 | 2250-0038 | Lock Nut |
| 35 | 4 | 2270-0039 | Washer |
| 36 | 4 | 2220-0045 | Cap Screw (HM2C & HM4C Models) |
| 36 | 4 | 2220-0021 | Cap Screw (HM1C & HM5C Models) |
| 36 | 4 | 2220-0044 | Cap Screw (HM3C Models) |
| 37 | 2 | 1720-0108 | O-ring |
| 38 | 1 | 3320-0016 | Tank Port Adapter |
| 39 | 1 | 3260-0039 | Poppet |
| 40 | 1 | 1820-0023 | Retaining Ring |
| 42 | 1 | 3360-0021 | Pressure Port Adapter |
| 43 | 1 | 1720-0105 | Orifice O-ring (HM2C & HM4C Models Only) |
| 44 | 1 | 3373-0020 | Metering Orifice |
| | | 3373-0021 | (HM2C & HM4C Models Only) |
| | or | 3373-0022 | |
| 45 | 1 | 1700-0100 | Rubber Gasket |

Self-Priming, Hydraulically-Driven Centrifugals



NOTE: When ordering parts, give QUANTITY, PART NUMBER, DESCRIPTION, and COMPLETE MODEL NUMBER. Reference numbers are used ONLY to identify parts in the drawing and are NOT to be used as order numbers.

SP Chamber Kit No. 3430-0480SP

Contains: One chamber with wear ring, (Ref. 1A), one o-ring (Ref. 6), one drain/vent plug (Ref. 1) and one vent plug (Ref. 2).

Repair Parts Kit No. 3430-0332

Contains: One mechanical seal (Ref. 5), one o-ring (Ref. 6) and one rubber gasket (Ref. 45).

Parts Kit No. 3430-0178

Contains: One each ball bearing (Ref. 14), motor shaft seal (Ref. 16), thread seal gasket (Ref. 32), and washer (Ref. 33), two each motor housing o-rings (Ref. 25), and port adapter o-rings (Ref. 37).

Adapter Kit No. 3430-0187 (HM4 Models Only):

Includes one each Ref. 37, Ref. 42, and Ref. 44, three Ref. 43, three metering orifices one No. 3373-0020 (Size #1), one No. 3373-0021 (Size #2) and one No. 3373-0022 (Size #3).

Hydraulic Motor Part #s

- 2500-0009C (HM1C Models)
- 2500-0010C (HM2C Models)
- 2500-0011C (HM3C Models)
- 2500-0012C (HM4C Models)
- 2500-0018C (HM5C Models)

| Ref. No. | Qty. Req'd. | Part No. | Description |
|----------|-------------|------------|---|
| 1A | 1 | 0150-9070C | Pump Casing (Self Priming) (Includes a stainless steel wear ring) |
| 1 | 1 | 2406-0007 | Drain/Vent Plug |
| 2 | 1 | 2406-0001 | Vent Plug |
| 3 | 1 | 2253-0002 | Impeller Nut |
| 4 | 1 | 0401-9100P | Impeller (Nyglass, std.) |
| 4 | 1 | 0402-9100P | Impeller (Optional Polypropylene) |
| 5 | 1 | 2120-0008 | Mechanical Seal (Buna-N) 9301 Models |
| 5 | 1 | 2120-0009 | Mechanical Seal (Viton) 9303 Models |
| 6 | 1 | 1720-0083 | O-ring |
| 7 | 4 | 2210-0020 | Hex Head Cap Screw |
| 8 | 1 | 0750-9300C | Mounting Flange |
| 11 | 1 | 1410-0056 | Slinger Ring |
| 12 | 1 | 1820-0013 | Retaining Ring |
| 13 | 1 | 1810-0014 | Snap Ring |
| 14 | 1 | 2000-0010 | Ball Bearing |
| 15 | 1 | 1410-0073 | Spacer |
| 16 | 1 | 2104-0005 | Shaft Seal |
| 17 | 1 | 1410-0074 | Seal Spacer |
| 18 | 1 | 2029-0014 | Thrust Bearing Assembly—Consists of: (1) Thrust Bearing & (2) Thrust Brg. Races |
| 19 | 1 | 1810-0026 | Snap Ring |
| 20 | 1 | 0509-2500 | Shaft (HM2C & HM4C Models) 6 3/4" Long |
| 20 | 1 | 0511-2501 | Shaft (HM1C & HM5C Models) 7" Long |
| 20 | 1 | 0510-2500 | Shaft (HM3C Models) 7 1/2" Long |
| 21 | 1 | 1610-0012 | Woodruff Key |
| 22 | 1 | 1610-0032 | Roll Pin (HM2C & HM4C Models) |
| 22 | 1 | 1610-0031 | Roll Pin (HM1C & HM5C Models) |
| 22 | 1 | 1610-0030 | Woodruff Key (HM3C Models) |
| 23 | 1 | 0151-2500C | Motor Body (Includes Main Bearing) |
| 24 | 4 | 2210-0005 | Hex Head Cap Screw |
| 25 | 2 | 1720-0110 | O-ring |
| 26 | 1 | 0701-2500C | Gerotor Housing (HM2C Models) 1/4" Wide |
| 26 | 1 | 0700-2500C | Gerotor Housing (HM1C Models) 1/2" Wide |
| 26 | 1 | 0703-2500C | Gerotor Housing (HM4C Models) 5/16" Wide |
| 26 | 1 | 0702-2500C | Gerotor Housing (HM3C Models) 1" Wide |
| 26 | 1 | 0704-2500C | Gerotor Housing (HM5C Models) 5/8" Wide |

| Ref. No. | Qty. Req'd. | Part No. | Description |
|----------|-------------|------------|--|
| 27 | 1 | 1600-0045 | Dowel Pin (HM2C & HM4C Models) |
| 27 | 1 | 1600-0044 | Dowel Pin (HM1C & HM5C Models) |
| 27 | 1 | 1600-0052 | Dowel Pin (HM3C Models) |
| 28 | 1 | 1600-0042 | Dowel Pin (HM2C & HM4C Models) |
| 28 | 1 | 1600-0037 | Dowel Pin (HM1C & HM5C Models) |
| 28 | 1 | 1600-0068 | Dowel Pin (HM3C Models) |
| 29 | 1 | 3900-0023 | Gerotor (HM2C Models) |
| 29 | 1 | 3900-0022 | Gerotor (HM1C Models) |
| 29 | 1 | 3900-0024 | Gerotor (HM3C Models) |
| 29 | 1 | 3900-0025 | Gerotor (HM4C Models) |
| 29 | 1 | 3900-0048 | Gerotor (HM5C Models) |
| 30 | 1 | 0251-2500C | Motor End Plate (Includes Main Bearing) |
| 31 | 1 | 3220-0029 | Bypass Adjusting Screw |
| 32 | 1 | 1700-0047 | Gasket |
| 33 | 1 | 2270-0027 | Washer |
| 34 | 1 | 2250-0038 | Lock Nut |
| 35 | 4 | 2270-0039 | Washer |
| 36 | 4 | 2220-0045 | Cap Screw (HM2C & HM4C Models) |
| 36 | 4 | 2220-0021 | Cap Screw (HM1C & HM5C Models) |
| 36 | 4 | 2220-0044 | Cap Screw (HM3C Models) |
| 37 | 2 | 1720-0108 | O-ring |
| 38 | 1 | 3320-0016 | Tank Port Adapter |
| 39 | 1 | 3260-0039 | Poppet |
| 40 | 1 | 1820-0023 | Retaining Ring |
| 42 | 1 | 3360-0021 | Pressure Port Adapter |
| 43 | 1 | 1720-0105 | Orifice O-ring (HM2C & HM4C Models Only) |
| 44 | 1 | 3373-0020 | Metering Orifice (HM2C & HM4C Models Only) |
| | or | 3373-0021 | |
| | or | 3373-0022 | |
| 45 | 1 | 1700-0100 | Rubber Gasket |