

NOTE: When ordering parts, give QUANTITY, PART NUMBER, DESCRIPTION, and COMPLETE MODEL NUMBER. Reference numbers are used ONLY to identify parts in the drawing and are NOT to be used as order numbers.

Repair Parts Kit No. 3430-0332
 Contains: One mechanical seal (Ref. 5), one o-ring (Ref. 6) and one rubber gasket (Ref. 45).

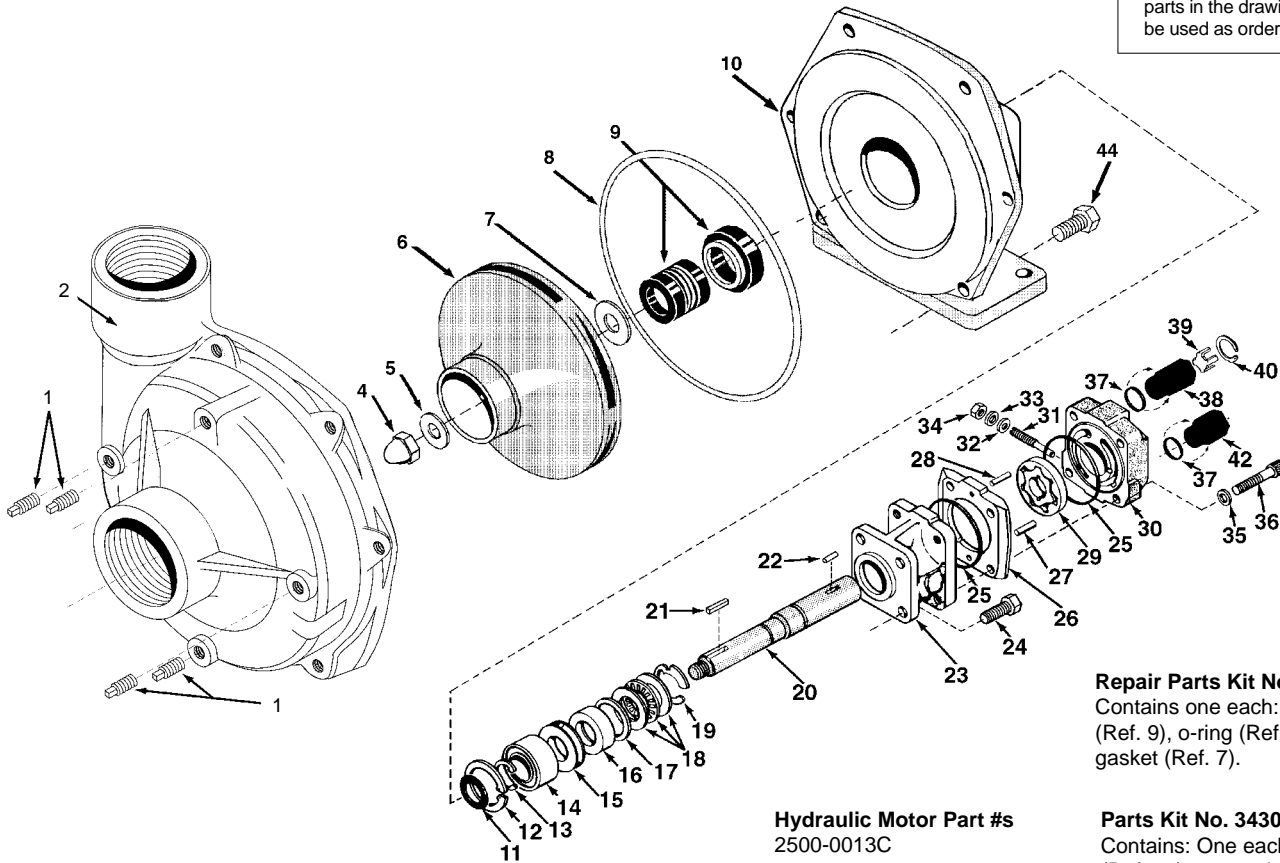
Parts Kit No. 3430-0178
 Contains: One each ball bearing (Ref. 14), motor shaft seal (Ref. 16), thread seal gasket (Ref. 32), and washer (Ref. 33), two each motor housing o-rings (Ref. 25), and port adapter o-rings (Ref. 37).

Hydraulic Motor Part #s
 2500-0011C (HM3C Models)
 2500-0018C (HM5C Models)
 2500-0009C (HM1C Models)

Ref. No.	Qty. Req'd.	Part No.	Description
1	4	2406-0007	Drain/Vent Plug
2	1	0151-9200C	Pump Casing (Volute) (Includes a stainless steel wear ring)
3	1	2253-0002	Impeller Nut
4	1	0401-9200P	Impeller
5	1	2120-0009	Mechanical Seal (Viton)
6	1	1720-0083	O-ring
7	4	2210-0020	Hex Head Cap Screw
8	1	0750-9300C	Mounting Flange
11	1	1410-0056	Slinger Ring
12	1	1820-0013	Retaining Ring
13	1	1810-0014	Snap Ring
14	1	2000-0010	Ball Bearing
15	1	1410-0073	Spacer
16	1	2104-0005	Shaft Seal
17	1	1410-0074	Seal Spacer
18	1	2029-0014	Thrust Bearing Assembly—Consists of: (1) Thrust Bearing & (2) Thrust Brg. Races
19	1	1810-0026	Snap Ring
20	1	0510-2500	Shaft (HM3C Model) 7 1/2" long
20	1	0511-2501	Shaft (HM1C & HM5C Models) 7" long
21	1	1610-0012	Woodruff Key
22	1	1610-0030	Woodruff Key (HM3C Models)
22	1	1610-0031	Roll Pin (HM1C and HM5C Models)
23	1	0151-2500C	Motor Body (Includes Main Bearing)
24	4	2210-0005	Hex Head Cap Screw
25	2	1720-0110	O-ring
26	1	0700-2500C	Gerotor Housing (HM1C Model) 1/2" wide
26	1	0702-2500C	Gerotor Housing (HM3C Model) 1" wide
26	1	0704-2500C	Gerotor Housing (HM5C Model) 5/8" wide

Ref. No.	Qty. Req'd.	Part No.	Description
27	1	1600-0052	Dowel Pin (HM3C Models)
27	1	1600-0044	Dowel Pin (HM1C and HM5C Models)
28	1	1600-0068	Dowel Pin (HM3C Model)
28	1	1600-0037	Dowel Pin (HM1C and HM5C Models)
29	1	3900-0022	Gerotor (HM1C Model)
29	1	3900-0024	Gerotor (HM3C Model)
29	1	3900-0048	Gerotor (HM5C Model)
30	1	0251-2500C	Motor End Plate (Includes Main Bearing)
31	1	3220-0029	Bypass Adjusting Screw
32	1	1700-0047	Gasket
33	1	2270-0027	Washer
34	1	2250-0038	Lock Nut
35	4	2270-0039	Washer
36	4	2220-0044	Cap Screw (HM3C Models)
36	4	2220-0021	Cap Screw (HM1C)
36	4	2220-0032	Cap Screw (HM5C Models)
37	2	1720-0108	O-ring
38	1	3320-0016	Tank Port Adapter
39	1	3260-0039	Poppet
40	1	1820-0023	Retaining Ring
42	1	3360-0021	Pressure Port Adapter
45	1	1700-0100	Rubber Gasket
46	1	2270-0071	Washer (Not Shown)

NOTE: When ordering parts, give QUANTITY, PART NUMBER, DESCRIPTION, and COMPLETE MODEL NUMBER. Reference numbers are used ONLY to identify parts in the drawing and are NOT to be used as order numbers.



Repair Parts Kit No. 3430-0500
 Contains one each: mechanical seal (Ref. 9), o-ring (Ref. 8), and rubber gasket (Ref. 7).

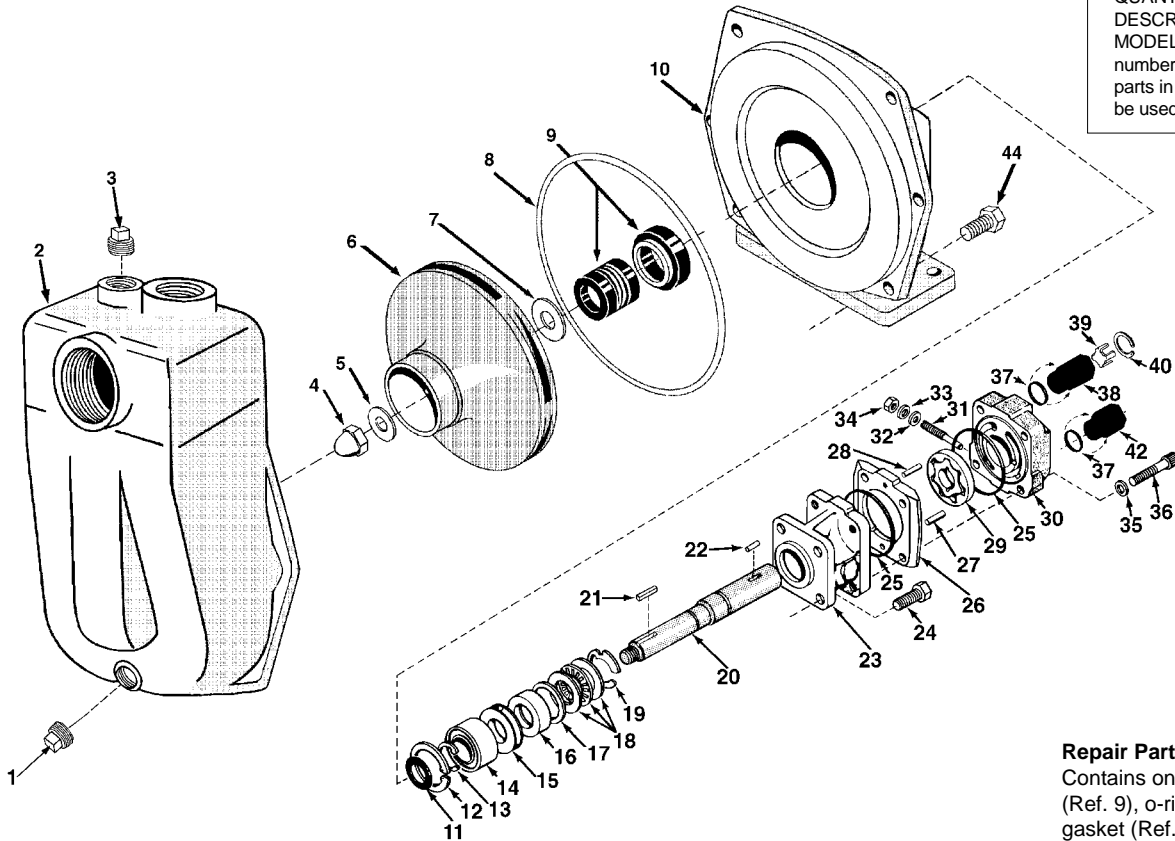
Hydraulic Motor Part #s
 2500-0013C

Parts Kit No. 3430-0178
 Contains: One each: ball bearing (Ref. 14), motor shaft seal (Ref. 16), thread seal gasket (Ref. 32), and washer (Ref. 33); two each: motor housing o-rings (Ref. 25), and port adapter o-rings (Ref. 37).

Ref. No.	Qty. Req'd.	Part No.	Description
1	4	2406-0007	Drain/Vent Plug
2	1	0152-9200CM	Pump Casing (Includes a stainless steel wear ring)
4	1	2253-0002	Impeller Nut
5	1	2270-0071	Washer
6	1	0403-9200P1	Impeller
7	1	1700-0100	Rubber Gasket
8	1	1720-0180	O-ring
9	1	2120-0009	Mechanical Seal (standard Viton)
10	1	0752-9200C	Mounting Flange
11	1	1410-0056	Slinger Ring
12	1	1820-0013	Retaining Ring
13	1	1810-0014	Snap Ring
14	1	2000-0010	Ball Bearing
15	1	1410-0073	Spacer
16	1	2104-0005	Shaft Seal
17	1	1410-0074	Seal Spacer
18	1	2029-0014	Thrust Bearing Assembly—Consists of: (1) Thrust Bearing & (2) Thrust Brg. Races
19	1	1810-0026	Snap Ring
20	1	0514-2500	Shaft

Ref. No.	Qty. Req'd.	Part No.	Description
21	1	1610-0053	Key
22	1	1610-0055	Key
23	1	0151-2500C	Motor Body (Includes Main Bearing)
24	4	2210-0005	Hex Head Cap Screw
25	2	1720-0110	O-ring
26	1	0702-2500C	Gerotor Housing 1" wide
27	1	1600-0052	Dowel Pin
28	1	1600-0068	Dowel Pin
29	1	3900-0024	Gerotor
30	1	0251-2500C	Motor End Plate (Includes Main Bearing)
31	1	3220-0029	Bypass Adjusting Screw
32	1	1700-0047	Gasket
33	1	2270-0027	Washer
34	1	2250-0038	Lock Nut
35	4	2270-0039	Washer
36	4	2220-0044	Cap Screw
37	2	1720-0108	O-ring
38	1	3320-0016	Tank Port Adapter
39	1	3260-0039	Poppet
40	1	1820-0023	Retaining Ring
42	1	3360-0021	Pressure Port Adapter
44	6	2210-0086	Hex Head Cap Screw

NOTE: When ordering parts, give QUANTITY, PART NUMBER, DESCRIPTION, and COMPLETE MODEL NUMBER. Reference numbers are used ONLY to identify parts in the drawing and are NOT to be used as order numbers.



Repair Parts Kit No. 3430-0500
 Contains one each: mechanical seal (Ref. 9), o-ring (Ref. 8), and rubber gasket (Ref. 7).

Hydraulic Motor Part #s
 2500-0013C

Parts Kit No. 3430-0178
 Contains: One each: ball bearing (Ref. 14), motor shaft seal (Ref. 16), thread seal gasket (Ref. 32), and washer (Ref. 33); two each: motor housing o-rings (Ref. 25), and port adapter o-rings (Ref. 37).

Ref. No.	Qty. Req'd.	Part No.	Description
1	1	2406-0002	1/2" NPT Drain Plug (SP model only)
1	1	2406-0035	1/2" BSP Drain Plug (BSP model only)
2	1	0150-9075C	Self-Priming Chamber (SP model only)— (Includes a stainless steel wear ring)
2	1	0150-9075C1	Self-Priming Chamber (BSP model only)— (Includes a stainless steel wear ring)
3	1	2406-0034	1" NPT Prime Port Plug (SP model only)
3	1	2406-0036	1" BSP Prime Port Plug (BSP model only)
4	1	2253-0002	Impeller Nut
5	1	2270-0071	Washer
6	1	0403-9200P1	Impeller
7	1	1700-0100	Rubber Gasket
8	1	1720-0180	O-ring
9	1	2120-0009	Mechanical Seal (standard Viton)
10	1	0752-9200C	Mounting Flange
11	1	1410-0056	Slinger Ring
12	1	1820-0013	Retaining Ring
13	1	1810-0014	Snap Ring
14	1	2000-0010	Ball Bearing
15	1	1410-0073	Spacer
16	1	2104-0005	Shaft Seal
17	1	1410-0074	Seal Spacer
18	1	2029-0014	Thrust Bearing Assembly—Consists of: (1) Thrust Bearing & (2) Thrust Brg. Races
19	1	1810-0026	Snap Ring
20	1	0514-2500	Shaft

Ref. No.	Qty. Req'd.	Part No.	Description
21	1	1610-0053	Key
22	1	1610-0055	Key
23	1	0151-2500C	Motor Body (Includes Main Bearing)
24	4	2210-0005	Hex Head Cap Screw
25	2	1720-0110	O-ring
26	1	0702-2500C	Gerotor Housing 1" wide
27	1	1600-0052	Dowel Pin
28	1	1600-0068	Dowel Pin
29	1	3900-0024	Gerotor
30	1	0251-2500C	Motor End Plate (Includes Main Bearing)
31	1	3220-0029	Bypass Adjusting Screw
32	1	1700-0047	Gasket
33	1	2270-0027	Washer
34	1	2250-0038	Lock Nut
35	4	2270-0039	Washer
36	4	2220-0044	Cap Screw
37	2	1720-0108	O-ring
38	1	3320-0016	Tank Port Adapter
39	1	3260-0039	Poppet
40	1	1820-0023	Retaining Ring
42	1	3360-0021	Pressure Port Adapter
44	6	2210-0086	Hex Head Cap Screw