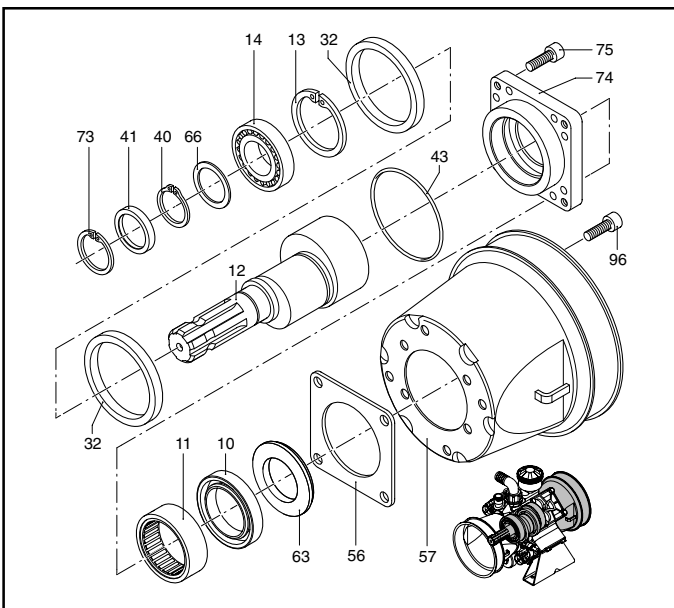
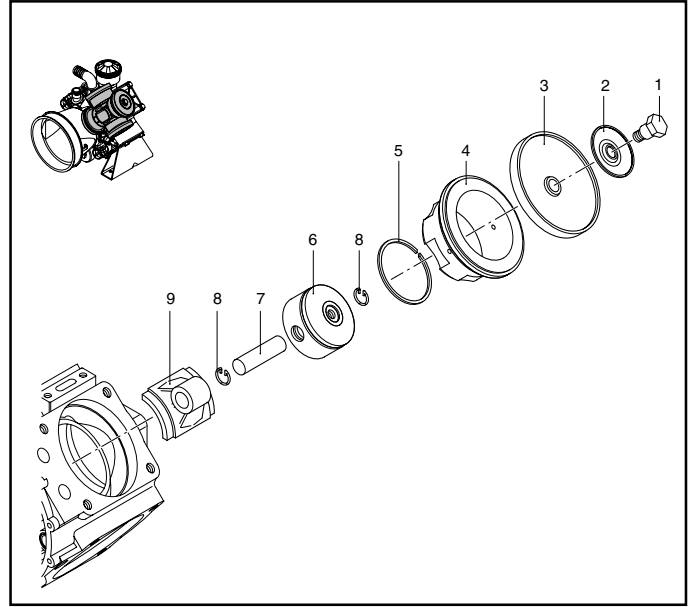
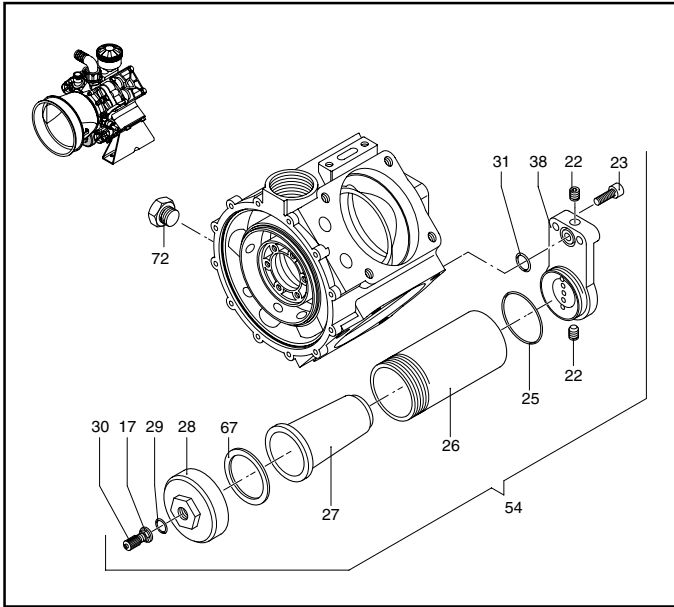
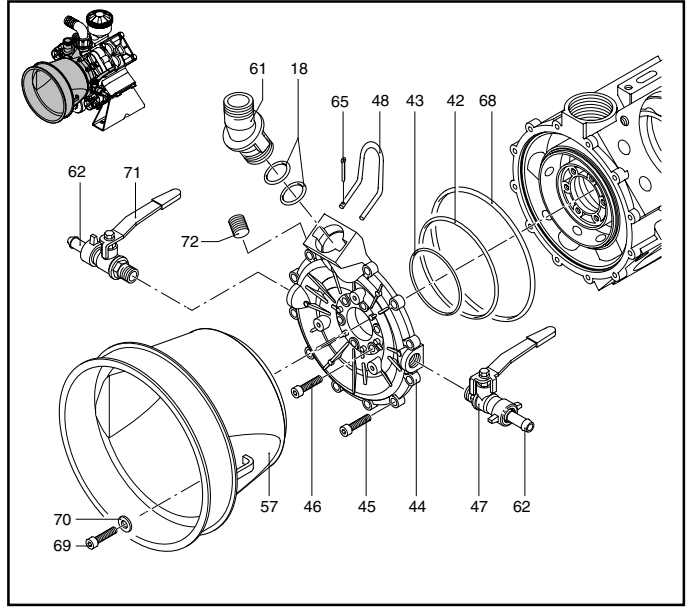
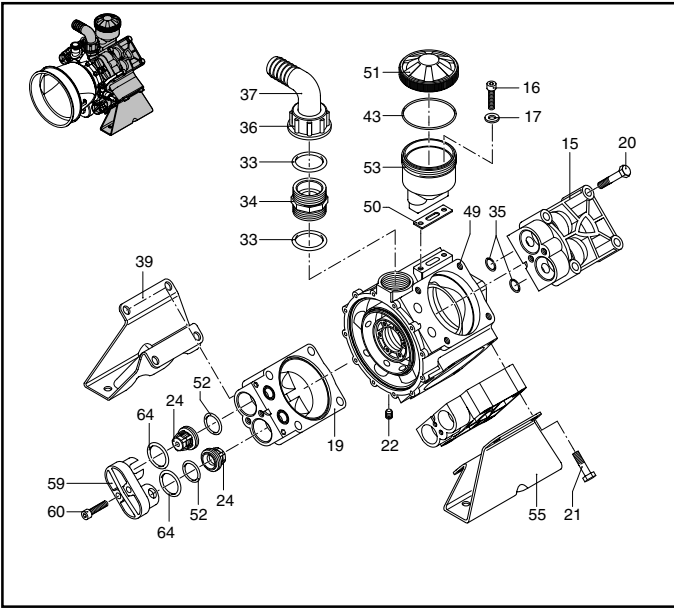


Model 9910-D1064

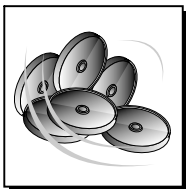


Model 9910-D1064 Diaphragm Pump

REF. NO.	PART NUMBER	DESCRIPTION	QTY. REQ'D.
1	9910-580360	Retaining bolt	4
2	9910-1040180	Retaining bolt washer	4
3	9910-1040080	Diaphragm, Desmopan (std)	4
3A	9910-1040081	Diaphragm, Buna-N (opt)	4
4	9910-1500080	Piston sleeve	4
5	9910-650190	Piston ring	4
6	9910-1040120	Piston	4
7	9910-1040070	Connecting pin	4
8	9910-1040270	Snap ring	8
9	9910-1800050	Connecting rod	4
10	9910-1400150	Shaft seal	1
11	9910-650200	Roller bearing	1
12	9910-1800200	Crankshaft	1
13	9910-161050	Retainer ring	1
14	9910-1800170	Bearing	2
15	9910-1040551	Head (Right)	2
16	9910-680350	Bolt	2
17	9910-380241	Washer	3
18	9910-390180	O-Ring	2
19	9910-1040552	Left head	2
20	9910-1480040	Bolt	8
21	9910-750060	Bolt	8
22	9910-1040470	Plug	3
23	9910-320360	Bolt	2
24	9910-1409050	Valve assembly	8
25	9910-540360	O-ring	1
26	9910-1040220	Pulsation damper body	1
27	9910-1040240	Diaphragm	1
28	9910-1040230	Pulsation damper cap	1
29	9910-650542	O-ring	1
30	9910-550300	Air Valve	1
31	9910-640070	O-Ring	1
32	9910-1040340	Retaining ring	2
33	9910-250310	O-Ring	2
34	9910-540530	Threaded Adapter	1
35	9910-770571	O-Ring	8
36	9910-540540	Hose barb nut	1
37	9910-540550	Hose barb	1
38	9910-1040420	Mount	1

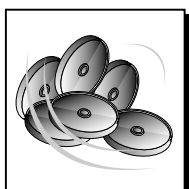
REF. NO.	PART NUMBER	DESCRIPTION	QTY. REQ'D.
39	9910-1040590	Left base	1
40	9910-1040570	Retaining ring	1
41	9910-1040050	Oil seal	1
42	9910-1800160	O-Ring	1
43	9910-1040060	O-Ring	3
44	9910-1800150	Manifold	1
45	9910-1040370	Bolt	12
46	9910-780060	Bolt	6
47	9910-130491	Outlet ball valve w/o barb	1
48	9910-1040690	Retainer clip	1
49	9910-1820040	Pump body	1
50	9910-750040	Gasket	1
51	9910-1800060	Black cap	1
52	9910-620030	O-Ring	8
53	9910-750030	Oil reservoir	1
54	9910-kit1525	Pulsation damper assy	1
55	9910-1040580	Right base	1
56	9910-1400140	Flange	1
57	9910-1500350	Shield	2
58	9910-820670	Bolt	4
59	9910-1300190	Valve retainer	4
60	9910-620610	Bolt	8
61	9910-1040760	Outlet adapter (3/4" NPT)	1
62	9910-110131	Hose barb	2
63	9910-1400110	Flange	1
64	9910-540361	O-Ring	8
65	9910-1040950	Cotter pin	1
66	9910-1040850	Washer	1
67	9910-1041140	Dampener washer	1
68	9910-1400120	O-Ring	1
69	9910-1343510	Bolt	3
70	9910-881710	Washer	3
71	9910-130492	Outlet ball valve w/ barb	1
72	9910-1800240	Plug	2
73	9910-1460490	Snap ring	1
74	9910-1800210	Flange	1
75	9910-180030	Bolt	8

Replacement Parts Kits



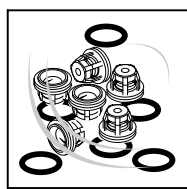
9910-Kit 1886

Desmopan diaphragms	
Ref. No.	Qty.
3	4



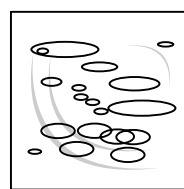
9910-Kit 1953

Buna diaphragms	
Ref. No.	Qty.
3A	4



9910-Kit 1964

Valves	
Ref. No.	Qty.
24	8
64	8



9910-Kit 2378

O-Rings	
Ref. No.	Qty.
18	2
25	1
31	1
33	2
35	8
42	1
43	3
52	8
64	8
68	1