

Figure 11. 9910-Kit 1708 1-3/8" Female PTO Adapter, Safety Shield, Torque Arm and Chains

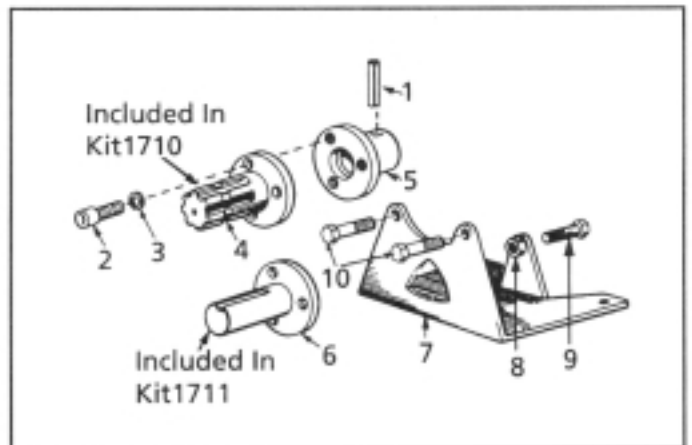
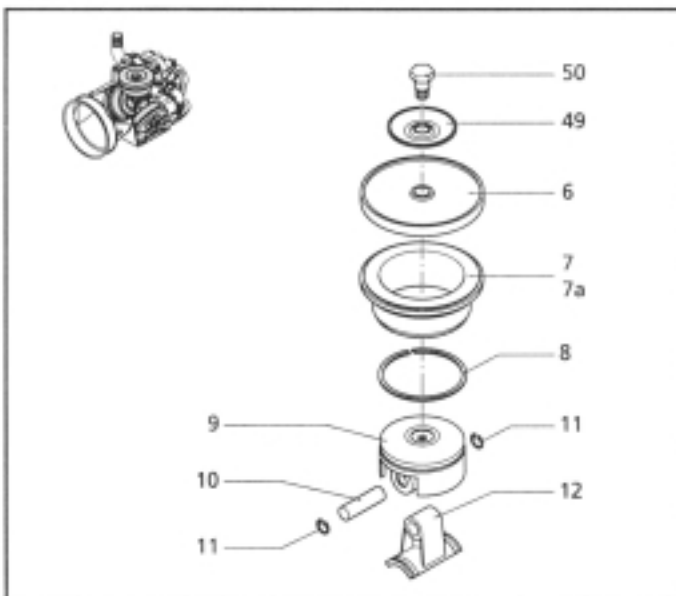


Figure 12. 9910-Kit 1710 & 1711  
1710-1-3/8" Male PTO Shaft & Base Kit  
1711-1" Solid Shaft & Base Kit

Figure 10. Parts Illustrations for Models 9910-D115 and 9910-D135

## Parts List for 9910-D115 and 9910-D135

NOTE: When ordering parts, give QUANTITY, PART NUMBER, DESCRIPTION, and COMPLETE PUMP MODEL NUMBER. Reference numbers are used ONLY to identify parts in the drawing and are NOT to be used as order numbers.

REF. NO.	PART NUMBER	DESCRIPTION	QTY. REQ'D.
1	9910-580011	Pump Body	1
2	9910-580150	Manifold	1
3	9910-550101	Right head	2
4	9910-550102	Left head	1
5	9910-180152	Nut	15
6	9910-550085	Diaphragm (Desmopan)	3
6a	9910-550080	Diaphragm (Buna, optional)	3
7	9910-580110	Sleeve (D115)	3
7a	9910-580350	Sleeve (D135)	3
8	9910-500260	Piston ring	3
9	9910-580120	Piston	3
10	9910-380300	Pin	3
11	9910-380080	Pin ring	6
12	9910-580140	Connecting Rod	3
13	9910-320030	O-Ring	6
14	9910-759051	Complete valve	6
15	9910-540541	Ring nut	1
16	9910-390291	O-Ring	7
17	9910-540530	Threaded adapter	1
18	9910-390271	Nut	3
19	9910-580050	Gasket	1
20	9910-580180	Lower air chamber	1
21	9910-550190	Accumulator diaphragm	1
22	9910-550233	Upper air chamber	1
23	9910-550300	Air-valve	1
24	9910-650542	Gasket	1
25	9910-550680	Bolt	4
26	9910-200391	Retaining ring	1
27	9910-550470	Gasket retainer	1
28	9910-550070	Spacer ring	1
29	9910-580440	Roller bushing	1

REF. NO.	PART NUMBER	DESCRIPTION	QTY. REQ'D.
30	9910-550170	'SP' shaft (D115)	4
31	9910-580130	Connecting rod ring	2
32	9910-550200	Stud	4
33	9910-550310	Roller bushing	1
34	9910-550340	Threaded adapter	1
35	9910-550350	O-Ring	1
36	9910-550242	Ring nut	1
37	9910-550370	Elbow	1
38	9910-5405 50	Elbow	1
39	9910-250310	O-Ring	1
40	9910-550491	Seal ring	1
41	9910-650920	O-Ring	1
42	2406-0023	Plug	1
43	9910-580071	Valve retainer	1
44	9910-580072	Valve retainer	1
45	9910-1500350	Shield	1
46	9910-550332	Washer	2
47	9910-740290	O-Ring	1
48	9910-580330	'C' shaft (D135)	1
49	9910-580370	Retaining washer	3
50	9910-580360	Diaphragm pin	3
51	9910-250310	O-Ring	1
52	9910-200233	Washer	8
53	9910-850851	Bolt	2
54	9910-620472	Bolt	3
55	9910-390180	O-Ring	1
56	9910-1040310	Oil sight glass	1
57	9910-650920	O-Ring	1
58	9910-1040322	Black oil tank cap (D115)	1
58a	9910-1040320	Red oil tank cap (D135)	1
59	9910-580400	Manifold w/port	1

### Parts List for 9910-KIT1708

1-3/8" Female PTO Adapter, Safety Shield, Torque Arm, and Chains

REF. NO.	PART NUMBER	DESCRIPTION	QTY. REQ'D.
1	9910-380271	Torque Arm	1
2	9910-550290	Roll Pin	2
3	9910-320130	Nut	1
4	9910-320131	Washer	1
5	9910-500160	Collar	1
6	9910-500171	Lock Retaining Washer	1
7	9910-320170	Bolt (12MAx75)	1
8	9910-550250	Female Splined Shaft	1
9	9910-320650	Chain 'S' Hook	4
10	9910-320640	Chain	2
11	9910-620472	Bolt	2
12	9910-200231	Washer	5
13	9910-320620	Washer	1
14	9910-320630	Bolt	1
15	9910-320610	Wing Nut	1
16	2840-0028	Safety Shield (with Kit 1708)	1
17	2270-0004	Washer	4

### Parts List for 9910-KIT1710 & 1711 Shaft Kit

REF. NO.	PART NUMBER	DESCRIPTION	QTY. REQ'D.
1	9910-550290	Roll Pin	2
2	9910-620470	Bolts	3
3	9910-200231	Washer	3
4	9910-620240	1 3/8" Male 6 Spline PTO Shaft	1
5	9910-550510	Adapter	1
6	9910-621600	1" Solid Shaft	1
7	9910-580080	Base	1
8	9910-580190	Nut	1
9	9910-540300	Bolt (10MAx30)	1
10	9910-620472	Bolt	2

### Replacement Parts Kits



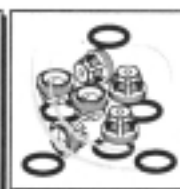
9910-KIT2367

Buna Diaphragms	
Ref. No	Qty.
6a	3



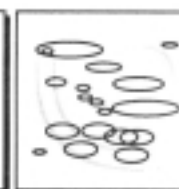
9910-KIT2369

Desmopan diaphragms	
Ref. No	Qty.
6	3



9910-KIT2370

Valves	
Ref. No	Qty.
13	6
14	6



9910-KIT2026

O-Rings	
Ref. No	Qty.
13	6
16	7
24	1
35	1
39	1
41	1
51	1
47	1
55	1
57	1