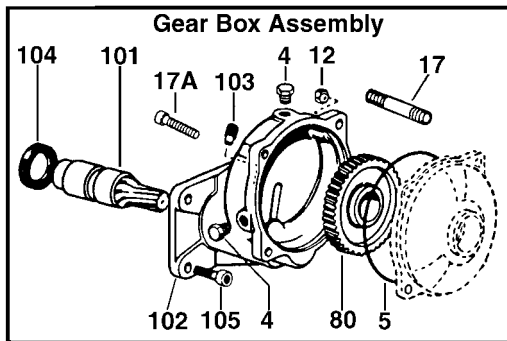
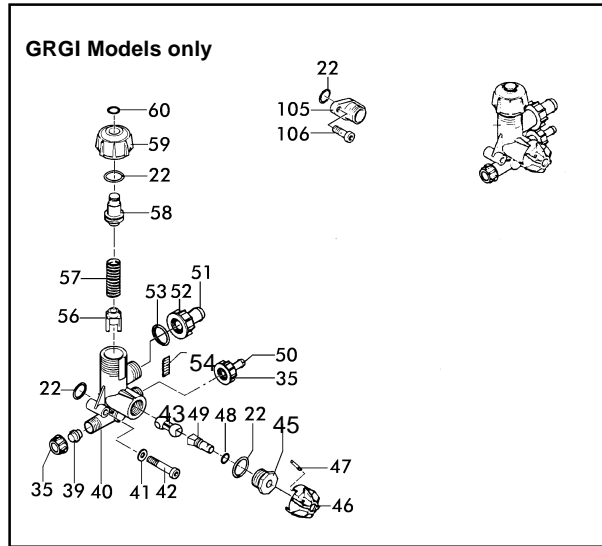
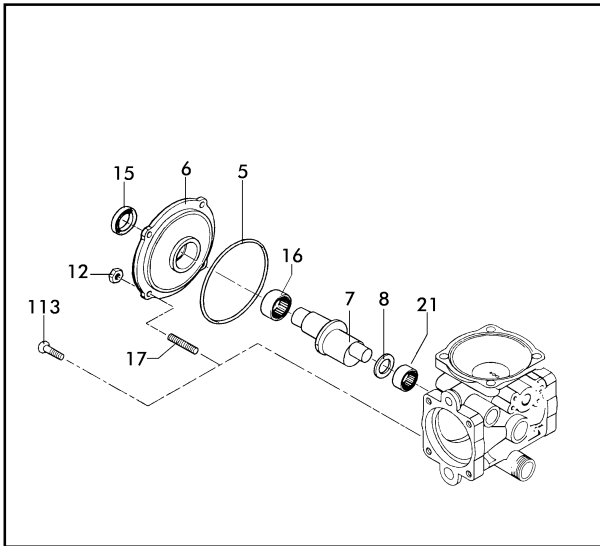
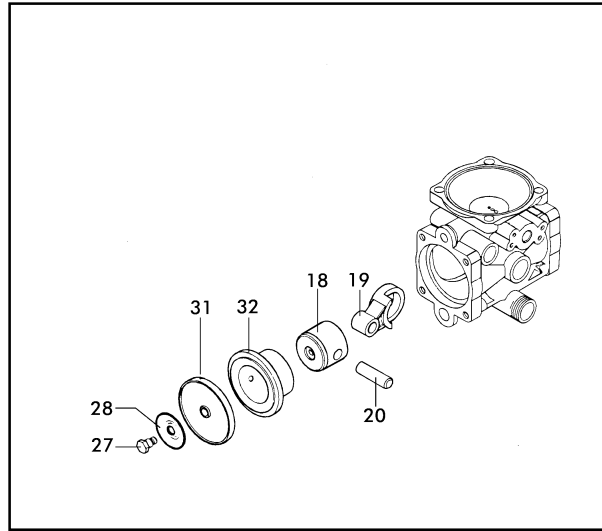
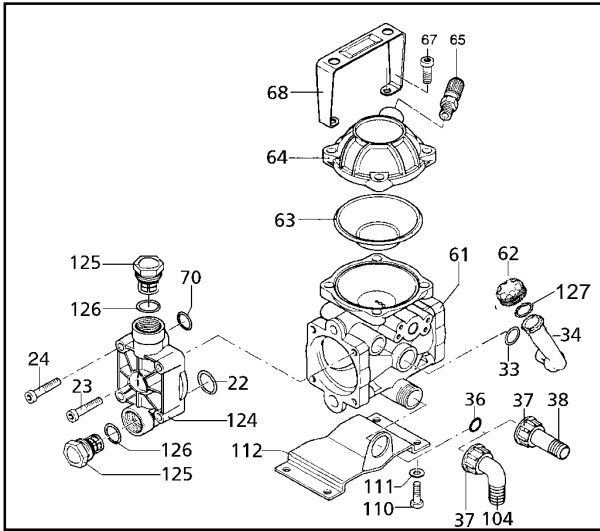


Model 9910-D252, D252-GRGI 3/4, & D252-GRGI 5/8



Ref. No.	Part Number	Description	Qty. Req'd.
4	9910-620301	Plug	2
12	9910-390440	Nut	4
80	9910-800280	Gear	1
101	9910-800810	Driver Gear, 3/4" Shaft Only	1
101	9910-801230	Driver Gear, 5/8" Shaft Only	1
02	9910-800820	Body	1
103	9910-800800	Locating Bolt	1
104	9910-480820	Seal	1
105	9910-620440	Bolt	4

Ref. No.	Description	Tightening Torque	
		In. Lbs.	Nm
4	Plug	87.5	9.8
105	Bolt	175.0	19.6

Figure 27

Ref. No.	Part Number	Description	Qty.
5 ³	9910-800380	O-Ring	1
6	9910-800020	Flange	1
7	9910-800172	3/4" Solid Shaft	1
8	9910-800160	Spacer	1
12	9910-390440	Nut	4
15	9910-800200	Seal	1
16	9910-800180	Roller Bearing	1
17	9910-550330	Stud	4
18	9910-800120	Piston	2
19	9910-800140	Connecting Rod	2
20	9910-800130	Piston Pin	2
21	9910-480370	Roller Bushing	1
22 ³	9910-480440	O-Ring	5
23	9910-680360	Bolt	1
24	9910-800220	Bolt	7
27	9910-800090	Diaphragm Pin	2
27	9910-800091	Diaphragm Pin	2
28	9910-800350	Plate	2
31 ¹	9910-800085	Diaphragm Buna-N	2
31	9910-80008T	Diaphragm Teflon (optional)	1
31	9910-800080	Diaphragm (Buna)	2
32	9910-800110	Sleeve	2
33 ³	9910-740290	O-Ring	1
34	9910-801960	Oil Tank	1
35	9910-800520	Ring Nut	2
36 ³	9910-390180	O-Ring	1
37	9910-550450	Ring Nut	1
38	9910-800340	Hose Barb (Inlet)	1
39	9910-800540	Plug	1
40	9910-800400	Valve Body	1
41	9910-550331	Washer	2
42	9910-801080	Bolt	2
43	9910-800430	Valve	1
45	9910-800500	Ring Nut	1
46	9910-800510	Knob	1
47	9910-390330	Pin	1
48 ³	9910-800560	O-Ring	1
49	9910-800490	Positioning Rod	1
50	9910-800530	Hose Barb (Outlet)	1
51	9910-800670	Hose Barb (Bypass)	1
52	9910-800680	Ring Nut	1
53 ³	9910-740290	O-Ring	1
54	9910-800480	ATM Scale Adhesive	1
56	9910-800440	Lower Spring Guide	1
57	9910-800450	Spring	1

Ref. No.	Part Number	Description	Qty.
58	9910-800460	Upper Spring Guide	1
59	9910-800470	Adjustment Knob	1
60	9910-480550	Retaining Ring	1
61	9910-800010	Pump Body	1
62	9910-550056	Oil Tank Cap	1
63	9910-800190	Accumulator Diaphragm (Viton)	1
63	9910-80019T	Accumulator Diaphragm (Teflon)	1
64	9910-800230	Upper Air Chamber	1
65	9910-800650	Valve	1
67	9910-540290	Bolt	4
68	9910-800390	Handle	1
70 ³	9910-800210	O-Ring	2
104	9910-550460	Elbow	2
105	9910-800692	Flange	1
106	9910-880280	Bolt	2
107	9910-800590	Key	1
108	9910-800171	Shaft "GR-Version"	1
110	9910-180431	Plate	2
111	9910-380241	Washer	2
112	9910-800311	Pulley Base	1
113	9910-320350	Bolt	4
124	9910-801940	Head	2
125 ²	9910-809060	Valve Assembly	4
126 ^{2,3}	9910-880830	O-Ring	4
127 ³	9910-550040	O-Ring	1

Ref. No.	Description	Tightening Torque	
		In. Lbs.	Nm
23	Bolt	175.0	19.6
24	Bolt	175.0	19.6
27	Diaphragm Pin	175.0	19.6
42	Bolt	87.5	9.8
67	Bolt	200.8	22.5
106	Bolt	87.5	9.8
110	Bolt	175.0	19.6
113	Bolt	87.5	9.8
125	Valve Assembly	131.2	14.7

¹ Denotes Diaphragm Kit 9910-KIT1927

² Denotes Valve Kit 9910-KIT2408

³ Denotes O-Ring Kit 9910-KIT2409

Diaphragm Kit 9910-KIT1927	
Ref No.	Qty.
31	2

Valve Kit 9910-KIT2408	
Ref No.	Qty.
125	4
126	4

O-Ring Kit 9910-KIT2409	
Ref No.	Qty.
5	1
22	5
33	4
36	1
48	1
53	1
70	1
126	4
127	1